

This Hall Effect current sensor is based on closed loop compensating principle and designed with a high galvanic isolation between primary and secondary circuits. It can be used for measurement of DC and AC current, pulse currents etc. The output of the transducer reflects the real wave of the current carrying conductor.

Product Characteristics	Applications
<ul style="list-style-type: none"> • Excellent accuracy • Very good linearity • Small size and encapsulated • Less power consumption • Good current overload capability 	<ul style="list-style-type: none"> • Photovoltaic equipment • General Purpose Inverters • AC/DC Variable Speed Drivers • Battery Supplied Applications • Uninterruptible Power Supplies • Switched Mode Power Supplies

ELECTRICAL DATA

Part number	CYHCS-D6-300A (CYHCS-D6M-300A)	CYHCS-D6-500A (CYHCS-D6M-500A)	
Nominal current	300	500	A
Measuring range	600(±18V, 50 Ω)	1000 (±18V, 36 Ω)	A
Turns ratio	1:3000	1:5000	
Measuring resistance	with±15V DC	with±12V~15V DC	
	@±300A max 110(max)	@±500Amax , 60~90(max)	Ω
	@±600A max 36(max)	@±1000Amax, 10~ 25(max)	Ω
	with±18VDC		
	@±300Amax 120(max)	@±500Amax 120(max)	Ω
	@±600Amax 50(max)	@±1000Amax 36(max)	Ω
Nominal analogue output current	100±0.5%	100±0.5%	mA
Secondary internal resistance	31	45	Ω
Supply voltage	±15 ~ ±24		V
Current consumption	±15VDC, 20 + output current		mA
Galvanic isolation	50HZ, 1min, 6		kV

ACCURACY DYNAMIC PERFORMANCE

Zero offset current	±0.2	mA
Thermal drift of offset current	-25°C ~ +85°C, ±0.5	mA
Response time	<1	µs
Linearity	≤0.1	%FS
Bandwidth(-3dB)	DC...100	kHz
di/dt following accuracy	>100	A/µs

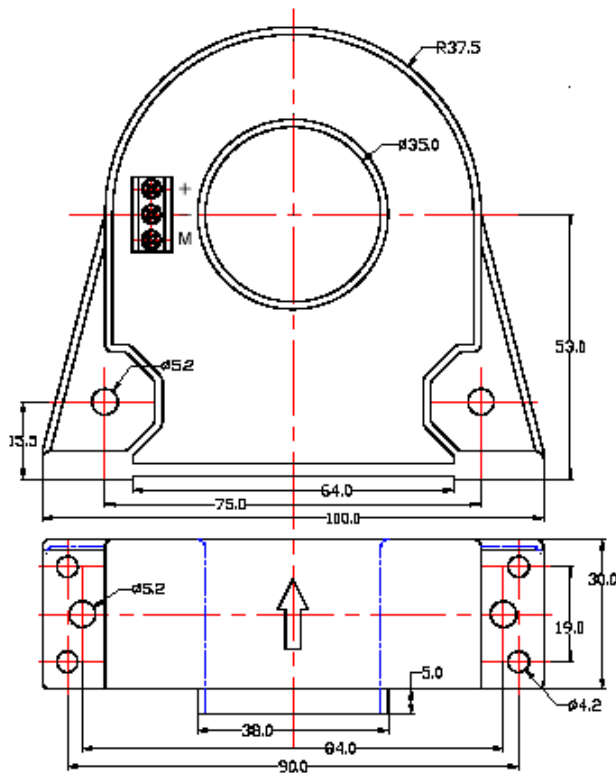
CYHCS-D6 Current Sensor

GENERAL DATA

Operating temperature	-25 ~ +85	°C
Storage temperature	-40 ~ +100	°C

Dimensions (mm)

CYHCS-D6-xxxx



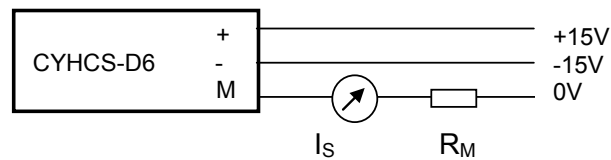
Current direction



Terminal Arrangement

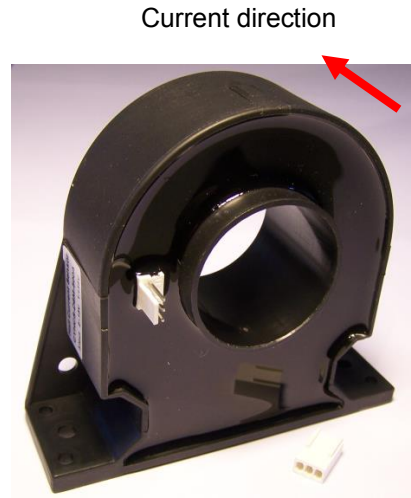
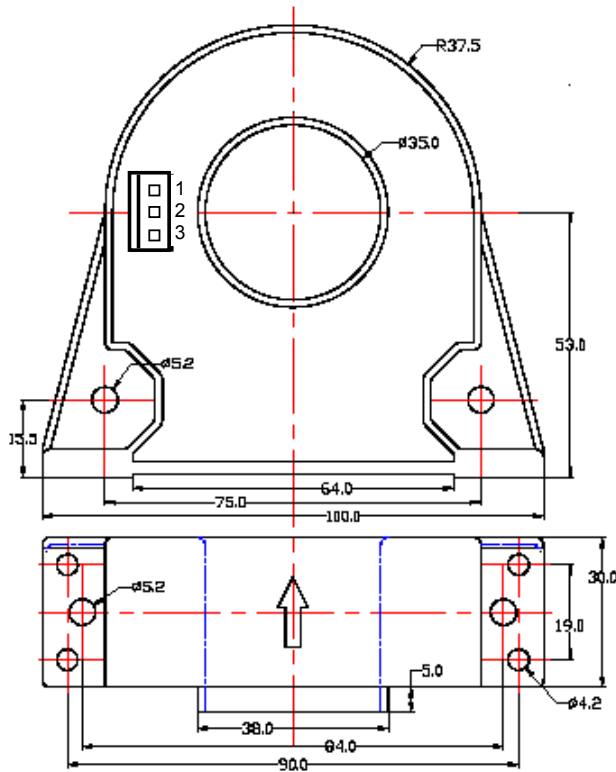
+: +15V
 -: -15V
 M: Output

Screw connector: DG300-5.0 Screw terminal block



CYHCS-D6 Current Sensor

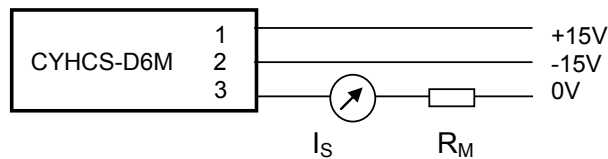
CYHCS-D6M-xxxx



Terminal Arrangement

- 1: +15V
- 2: -15V
- 3: Output

Molex Connector: Molex 22011042, 5045-04AG, 5051-04



Operating instructions

1. Connect the terminals of power source, outputs respectively and correctly, never make wrong connection for DC current.
2. Temperature of the primary conductor should not exceed $120\text{ }^{\circ}\text{C}$.
3. Dynamic performances (di/dt and the response time) are best with a single bar completely filling the primary hole.
4. In order to achieve the best magnetic coupling, the primary windings have to be wound over the top edge of the device.



www.pc-s.com

For more information and certifications, please contact:

Panel Components & Systems, Inc. ■ Phone: (800) 523-9194 ■ info@pc-s.com

Main Office:

Stanhope, NJ

Phone: (973) 448-9400